

# Draft

## Pivot Paper Holder

D7186P \_\_\_\_ (specify finish)

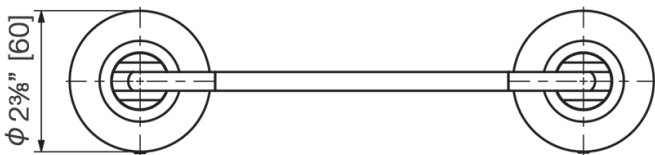
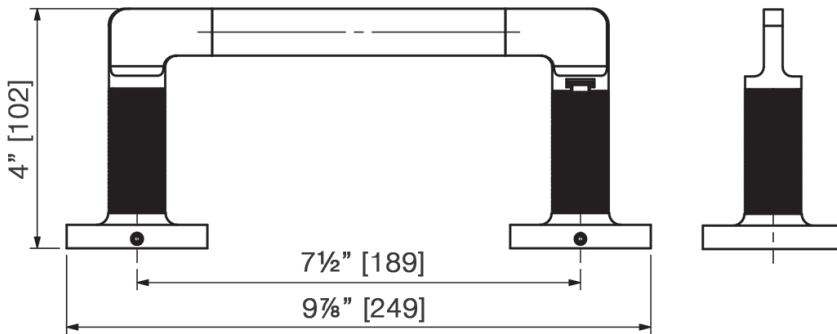
LALOO ACCESSORIES

SERVICE@LALOO.CA

866-305-2566



inside paper width = 6"

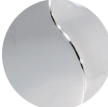
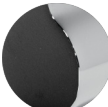


### Complementary Accessories

- robe hook
- single towel bar (medium)
- single towel bar
- extended double towel bar
- hand towel bar (right hand opening) (left hand opening)
- paper holder (right hand opening) (left hand opening)
- ADA safety bars
- triple hook



### Available Finishes

-  **C** chrome
-  **PN** polished nickel
-  **BN** brushed nickel
-  **GD** polished gold
-  **BG** brushed gold
-  **MB** matte black
-  **MC** matte black & chrome
-  **MG** matte black & brushed gold
-  **CW** chrome & white frost
-  **CG** chrome & stone grey
-  **CM** chrome & matte black

*Use metric dimensions for greatest accuracy. Specifications are subject to change without notice.*

A  
CELEBRATION  
of ART &  
FUNCTION