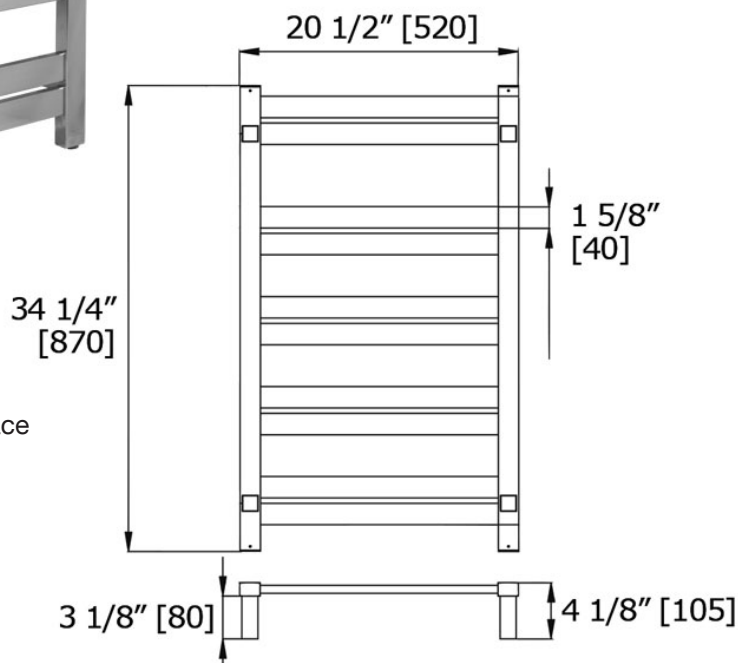
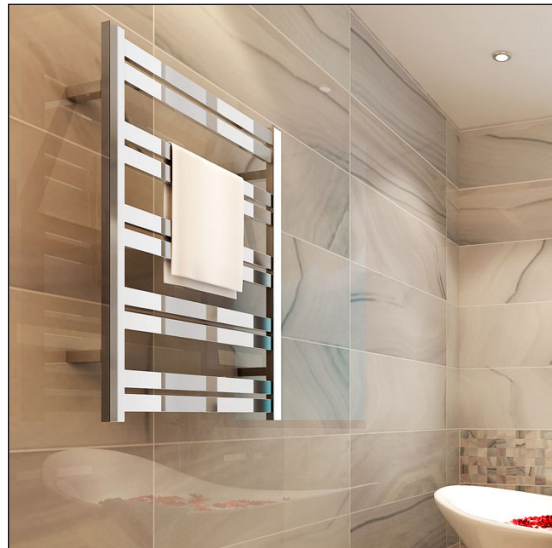


NVelup Towel Warmers

10 Bar Warmer
ETW84-6 PS

LALOO ACCESSORIES
SERVICE@LALOO.CA
866-305-2566



towel hanging space
17 3/8" [442mm]"

Complementary Accessories

Double Glass Shelf with railing
• CR3852



Classic-R Collection
• CR3800 series
• hook, towel bars or ring and paper holder (Chrome & Matte Black)



Available Finishes

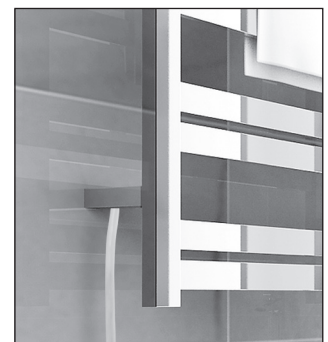


PS polished stainless

All towel warmers come with
2 connection options:



Hardwire



Plug-in



Longest warranty in the industry.

Use metric dimensions for
greatest accuracy.
Specifications are subject to
change without notice.

A
CELEBRATION
of ART &
FUNCTION