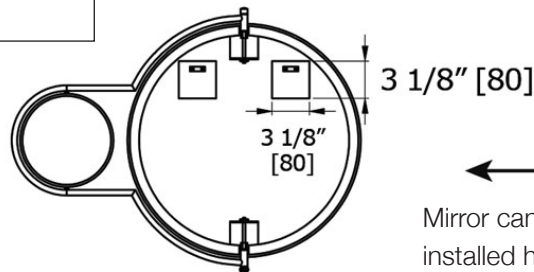
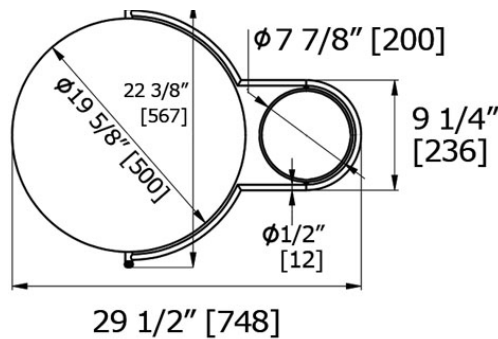
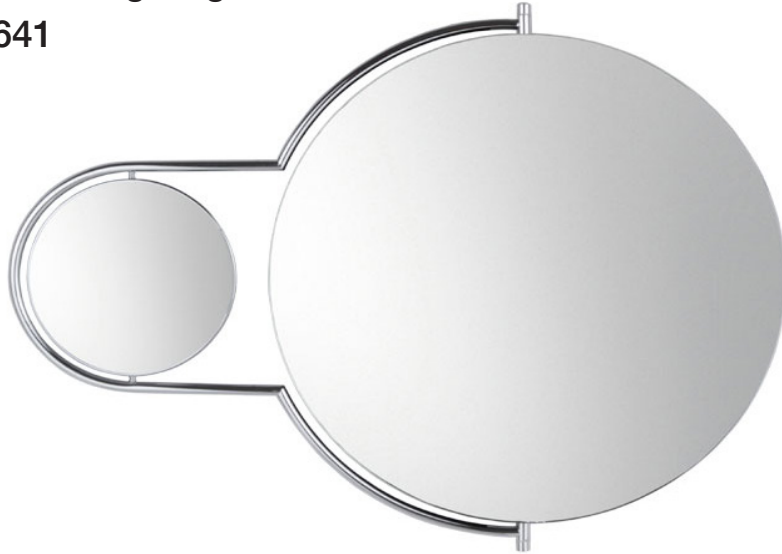


Decorative Mirrors

Non Lit Swing Magnification Mirror
H01641

LALOO ACCESSORIES
SERVICE@LALOO.CA
011 705-2566



Complementary Accessories

- 3M VHB Double Hook
• RZHook



- Tyme Collection
• T2600 series
• hook, towel bars or ring and paper holder (Chrome & Matte Black)

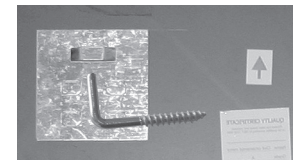


Mirror Features

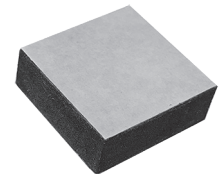


Pilkington Glass with silver plating of $\geq 700\text{mg/m}^2$ ensures $\geq 85\%$ reflectivity

Decorative mirrors come with mounting hardware and 'L' shaped screw



Foam spacers ensure that mirror is plumb.



Use metric dimensions for greatest accuracy. Specifications are subject to change without notice.

A
CELEBRATION
of ART &
FUNCTION