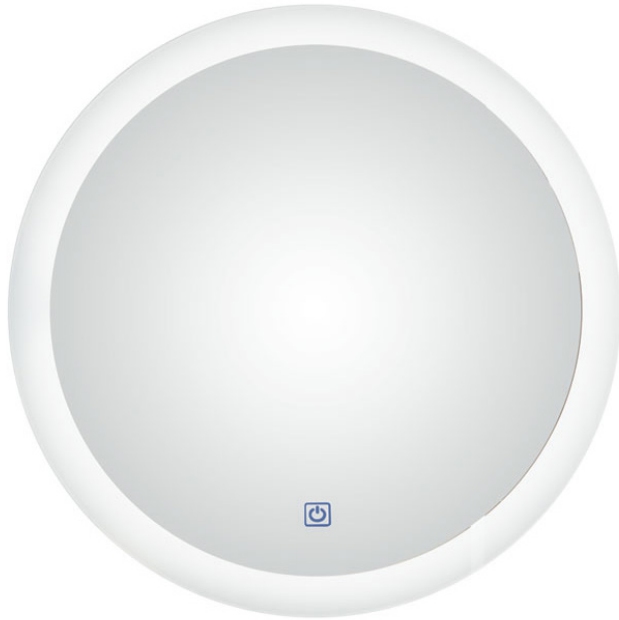


# LED Mirrors

Halo Perimeter LED Lighting  
M00514L

LALOO ACCESSORIES  
SERVICE@LALOO.CA  
866-305-2566



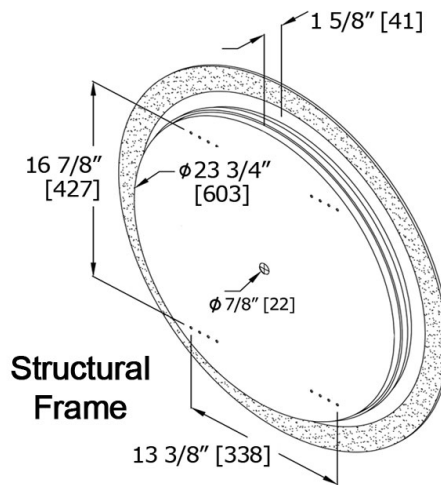
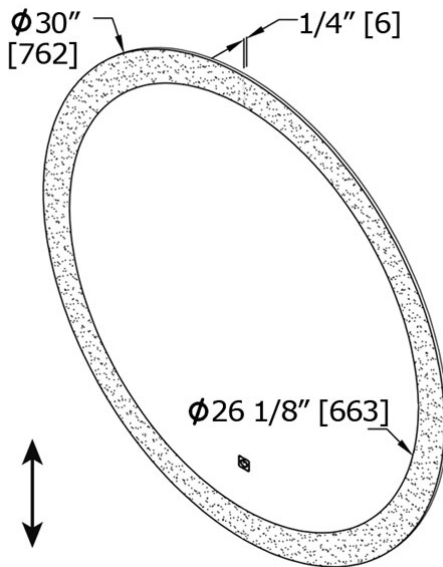
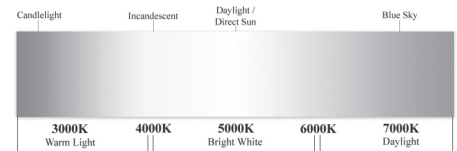
Kelvin Colour - 6000  
Wattage - 27.36  
Source Light Lumens - 2508  
LLD Lumens - 2006

## Mirror Features

The temperature of colour is measured in Kelvins, ranging from 1,000K to 10,000K.

Natural sunlight varies from 5,000K to 6500K. The higher end of the scale has a "cooler" feel to it and has a more white or blue colour hue.

The lower end of the scale range has a "warmer" feel with a more orange or yellow hue to the colour.



Structural Frame

A simple table to predict the brightness (lumens) of a LED mirror knowing the brightness of an incandescent bulb (w).

watts	25	40	60	75	100	150
lumens	375	600	900	1125	1500	2250

## Complementary Accessories

Magnification Mirror - 2016MB

Tyme Collection T2600 series



Use metric dimensions for greatest accuracy. Specifications are subject to change without notice.

A  
CELEBRATION  
of ART &  
FUNCTION