

LED Mirrors

Oval Halo Perimeter LED Lighting
M02130L

LALOO ACCESSORIES
SERVICE@LALOO.CA
866-305-2566

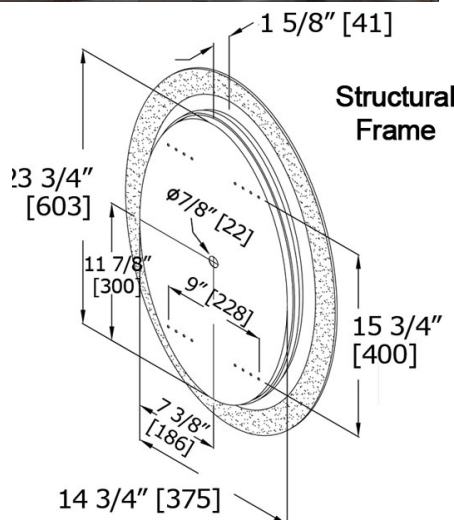
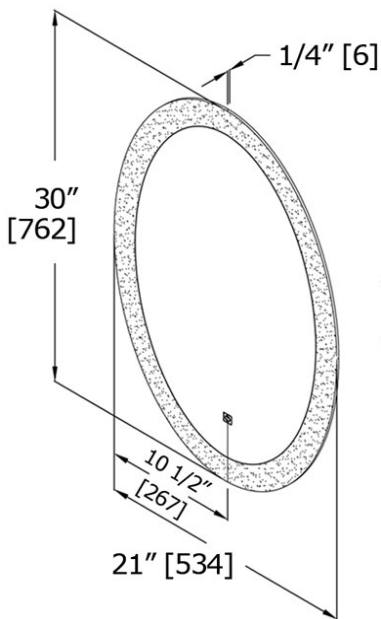
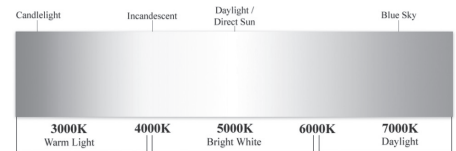


Mirror Features

The temperature of colour is measured in Kelvins, ranging from 1,000K to 10,000K.

Natural sunlight varies from 5,000K to 6500K. The higher end of the scale has a "cooler" feel to it and has a more white or blue colour hue.

The lower end of the scale range has a "warmer" feel with a more orange or yellow hue to the colour.



Kelvin Colour - 6000
Wattage - 23.04
Source Light Lumens - 2112
LLD Lumens - 1690

A simple table to predict the brightness (lumens) of a LED mirror knowing the brightness of an incandescent bulb (w).

Light Bulb Watts Conversion Table						
watts	25	40	60	75	100	150
lumens	375	600	900	1125	1500	2250

Complementary Accessories

Magnification Mirror - 2016MB



Tyme Collection T2600 series



Use metric dimensions for greatest accuracy. Specifications are subject to change without notice.

A
CELEBRATION
of ART &
FUNCTION