

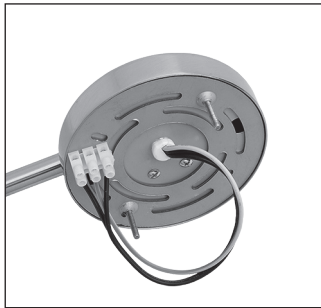
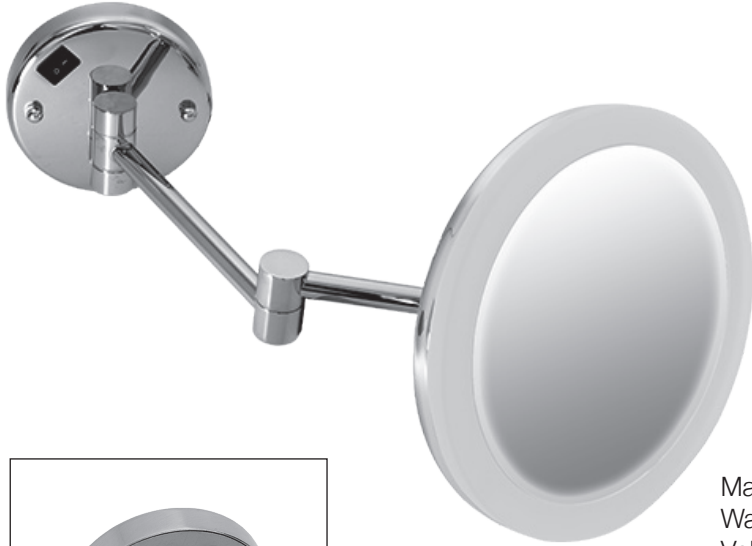
2035H C

LED Wallmount Swing Mirror
with acrylic face

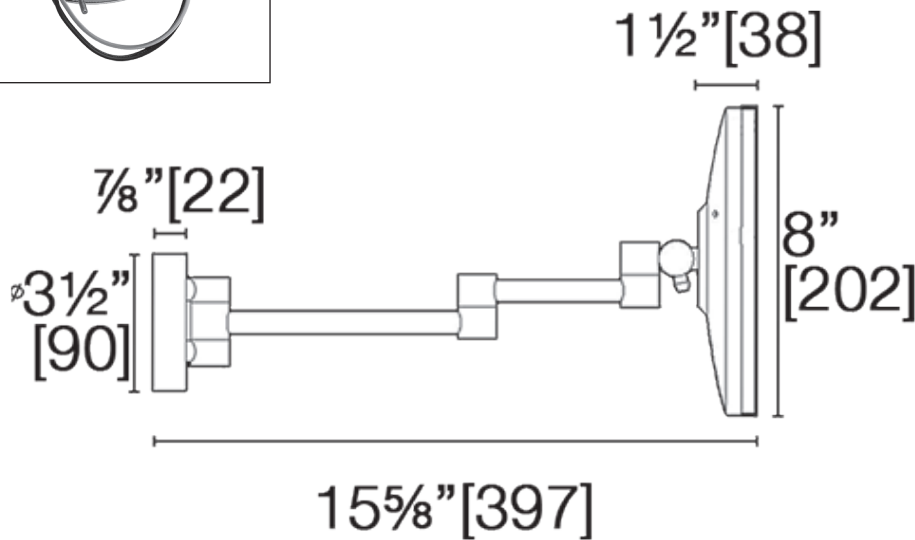
LALOO ACCESSORIES

SERVICE@LALOO.CA

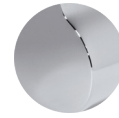
866-305-2566



Magnification - 5x
Wattage - 4.2
Voltage - 110
Kelvin - 6000
Lumens - 504

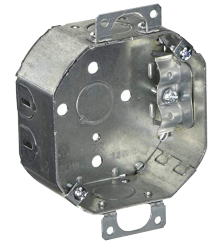


Available Finishes



C chrome

junction box required
for hardwire installation
[not included with mirror]



Complementary Accessories

floor stand towel bar
9003



bowl brush and holder
9301



Use metric dimensions for
greatest accuracy.
Specifications are subject to
change without notice.

A
CELEBRATION
of ART &
FUNCTION