

LED Mirrors

Framed Halo Perimeter LED Lighting
M04236LAD

LALOO ACCESSORIES
SERVICE@LALOO.CA
866-305-2566



24Hr. LED Clock included

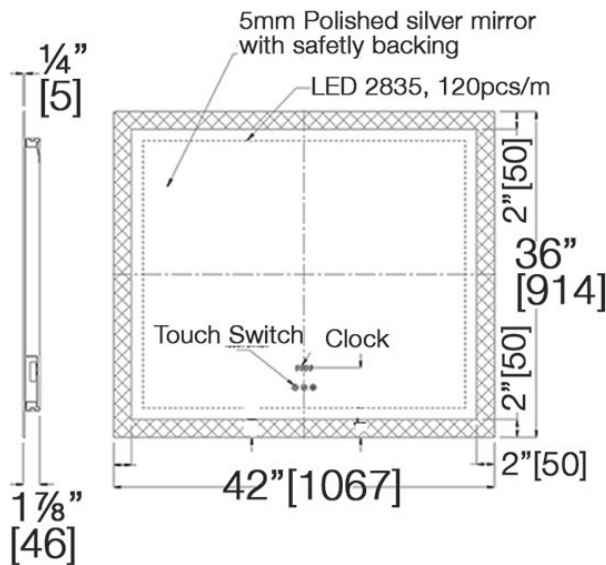
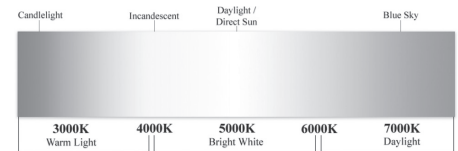


Mirror Features

The temperature of colour is measured in Kelvins, ranging from 1,000K to 10,000K.

Natural sunlight varies from 5,000K to 6500K. The higher end of the scale has a "cooler" feel to it and has a more white or blue colour hue.

The lower end of the scale range has a "warmer" feel with a more orange or yellow hue to the colour.



Antifog Mat - 23 5/8" x 15 7/8"

Kelvin Colour - 3000 to 6000
Wattage - 40
Source Light Lumens - 3590
LLD Lumens - 2872

A simple table to predict the brightness (lumens) of a LED mirror knowing the brightness of an incandescent bulb (w).

watts	25	40	60	75	100	150
lumens	375	600	900	1125	1500	2250

Complementary Accessories

- Non-lit Swing mirror [3x magnification]
- 2025D



Steele II Collection

- S1100 series
- hook, towel bars or ring and paper holder (multi finishes)



Use metric dimensions for greatest accuracy.
Specifications are subject to change without notice.

A
CELEBRATION
of ART &
FUNCTION