

S1087D / S1087DT / S1087

Stainless Shelf with drainage

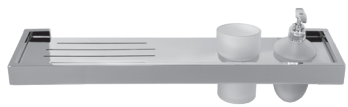
LALOO ACCESSORIES

SERVICE@LALOO.CA

866-305-2566



S1087D



S1087DT



S1087

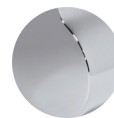
* Please note that dispenser pump is only available in Chrome finish.

Complements accessories:

Steele II

Upton

Available Finishes



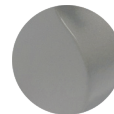
C chrome



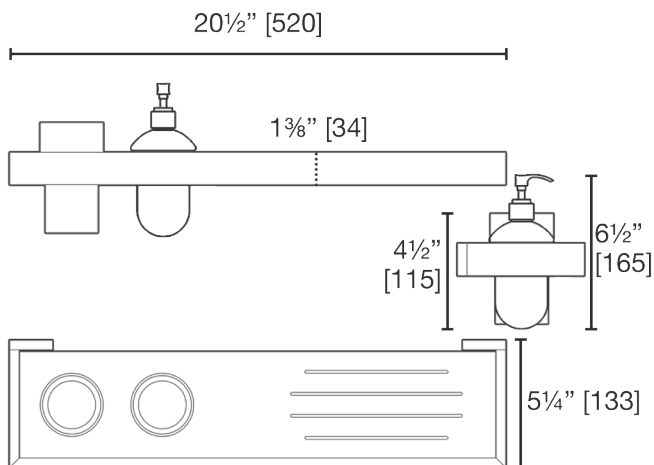
MB matte black



WF white frost



SG stone grey



Complementary Accessories

Steele II Collection includes:

- single towel bar
- double towel bar
- robe hook
- hand towel bar
- paper holder
- single glass shelf



Use metric dimensions for greatest accuracy. Specifications are subject to change without notice.

A
CELEBRATION
of ART &
FUNCTION