

bouTiQUE

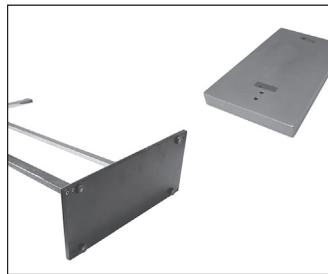
LALOO ACCESSORIES
SERVICE@LALOO.CA
866-305-2566



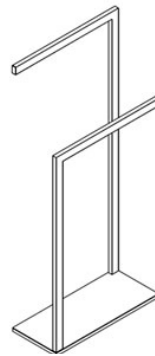
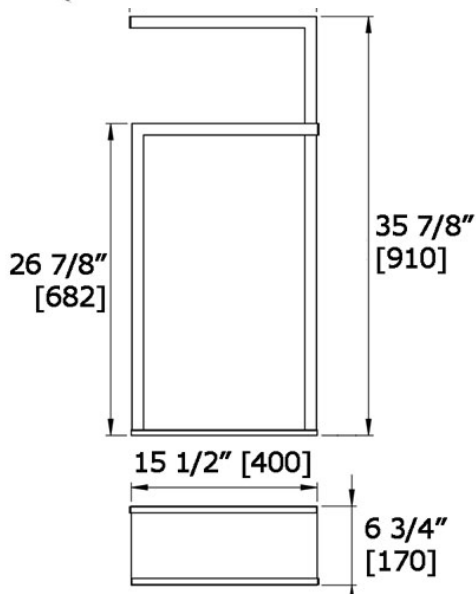
Double Bar Floor Towel Stand -square 9016 ____ (specify finish)



Weighted base for stability.
13 lbs.



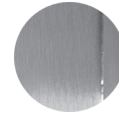
Towel hanging space:
Top bar 14 3/4" [376mm]
Bottom bar 14 3/4" [376mm]



Available Finishes



PS polished stainless



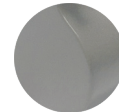
BS brushed stainless



MB matte black



WF white frost



SG stone grey

Complementary Accessories

Steele II Collection

S1100 - includes ring, towel bar, hook, shelf, double bar



Mirror with LED side sconce
M00532LD



Use metric dimensions for greatest accuracy.
Specifications are subject to change without notice.

A
CELEBRATION
of ART &
FUNCTION