

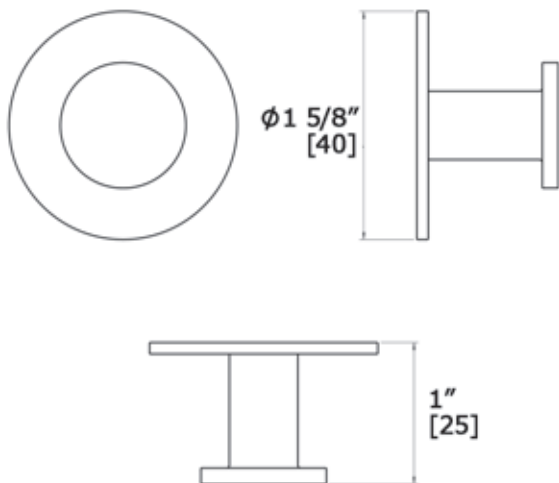
BOUTIQUE

SINGLE HOOK

7118-1

AVAILABLE FINISHES:

CHROME



3M

3M™ VHB™ Tapes are high-strength, double-sided acrylic foam tapes which quickly create a permanent bond that actually builds strength over time.

The soft conformable foam molds to irregular surfaces and joins a variety of materials including aluminum, steel, brass, glass, plastics and painted and powder-coated surfaces with a tensile strength of 90lbs. [3M 5952 specification]



LALOO ACCESSORIES

lalooc.ca

866.305.2566

SERVICE@lalooc.ca