

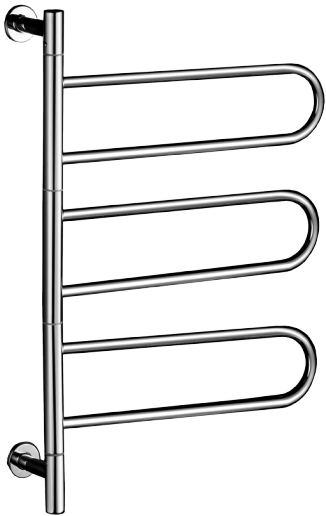
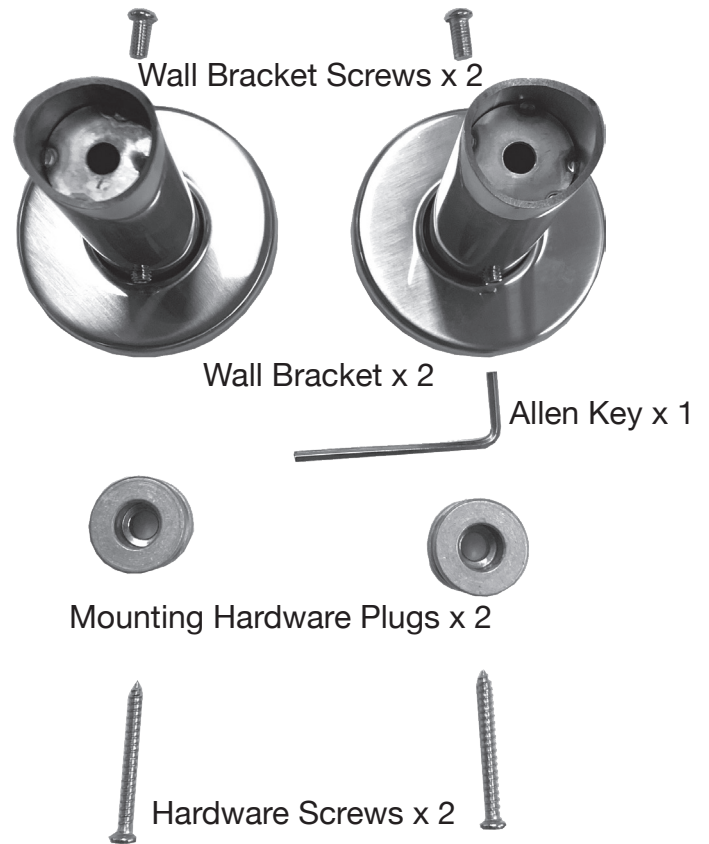


# 9600 PS

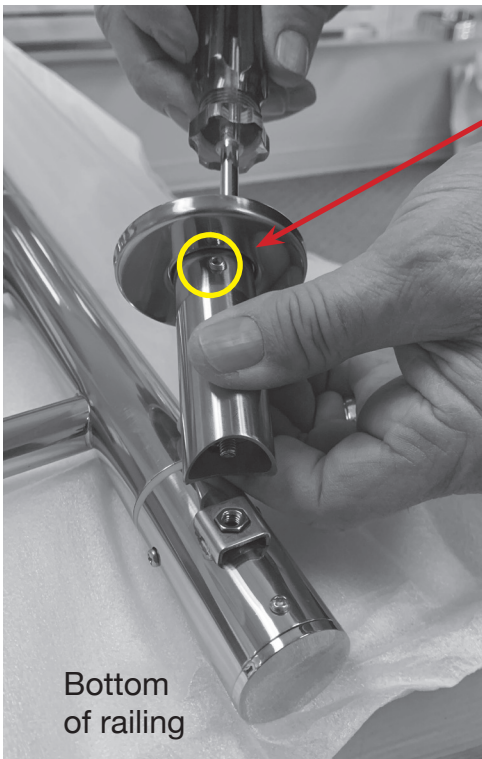
## 6 Bar Swing Towel Holder

### Installation Instructions

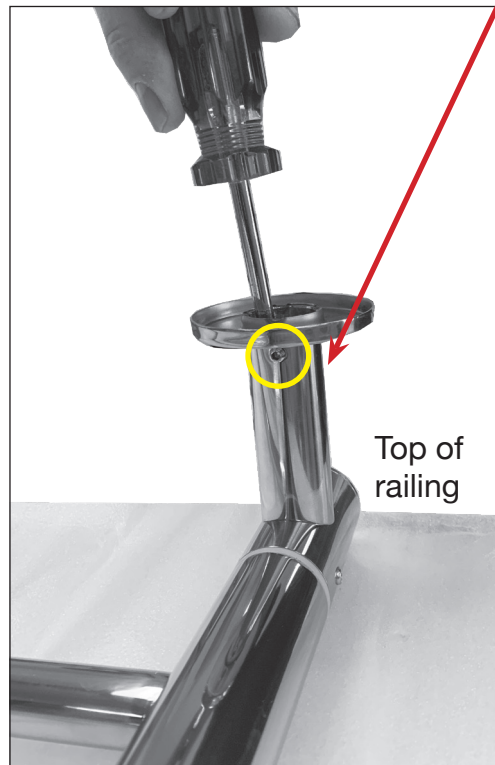
### Parts Explosion



1. Insert wall bracket screws into the wall bracket using a Phillips screw driver.
2. Attach the wall bracket to the railing at the lower and upper fitting.



3. Ensure that the bracket is rotated so the set screw is on the underside of the railing.



4. Mark location for mounting hardware. Install hardware on **stud** or previously installed **backing**.

Centre to centre  
 $28\frac{13}{16}$ "  
 732mm

5. Screw mounting hardware plugs to marked locations.
6. Loosen the set screws on the underside of wall brackets. Position the railing assembly on the plugs and tighten the set screws with the allen key.