

Draft

Extended Double Towel Bar

D7130D ____ (specify finish)

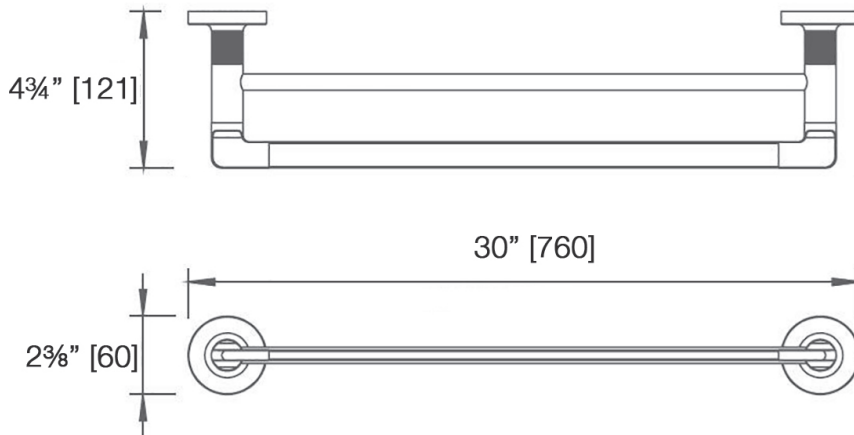
LALOO ACCESSORIES

SERVICE@LALOO.CA

866-305-2566



towel hanging space = 26 1/2"



Complementary Accessories

- robe hook
- single towel bar (medium)
- single towel bar
- extended double towel bar
- hand towel bar (right hand opening)
(left hand opening)
- paper holder (right hand opening)
(left hand opening)
- pivot paper holder
- triple hook



Available Finishes

-  **C** chrome
-  **PN** polished nickel
-  **BN** brushed nickel
-  **GD** polished gold
-  **BG** brushed gold
-  **MB** matte black
-  **MC** matte black & chrome
-  **MG** matte black & brushed gold
-  **CW** chrome & white frost
-  **CG** chrome & stone grey
-  **CM** chrome & matte black

Use metric dimensions for greatest accuracy. Specifications are subject to change without notice.

A
CELEBRATION
of ART &
FUNCTION