

# NVelup Towel Warmers

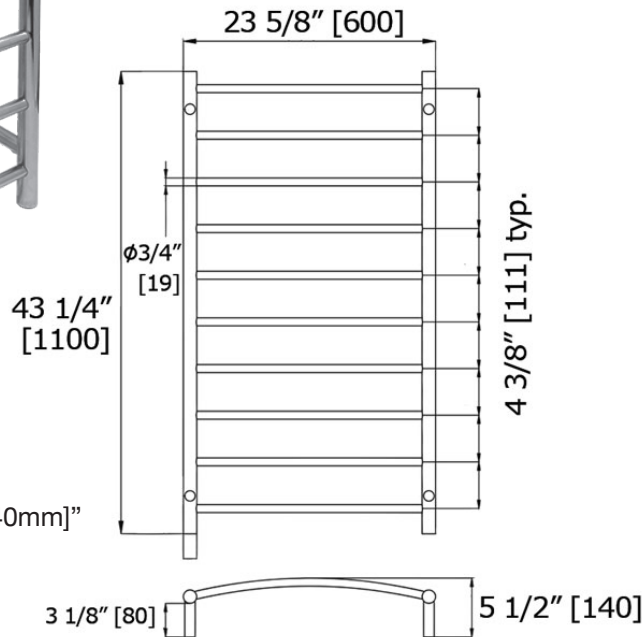
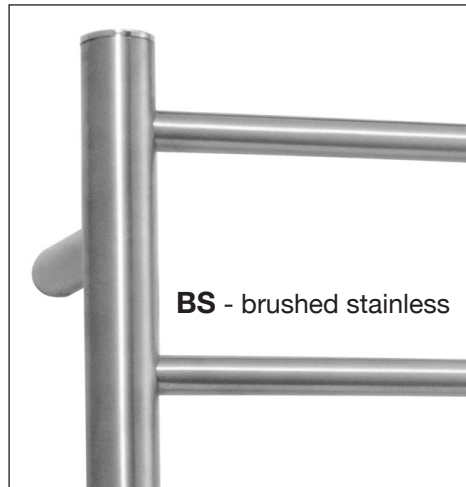
## 10 Bar Warmer

ETW1-1 \_\_\_\_ (specify finish)

LALOO ACCESSORIES

SERVICE@LALOO.CA

866-305-2566



towel hanging space - 21 1/4 [540mm]"

### Complementary Accessories

Hook Strip (2 and 4)

- 7116-2 and 7116-4  
(available in multiple finishes)



Wire Basket

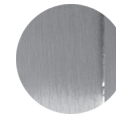
- 3391  
(available in multiple finishes)



### Available Finishes



PS polished stainless



BS brushed stainless

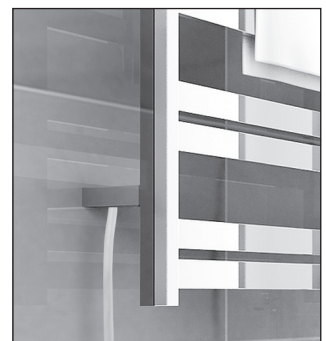


MB matte black

All towel warmers come with 2 connection options:



Hardwire



Plug-in



Matte Black

Use metric dimensions for greatest accuracy. Specifications are subject to change without notice.

A  
CELEBRATION  
of ART &  
FUNCTION