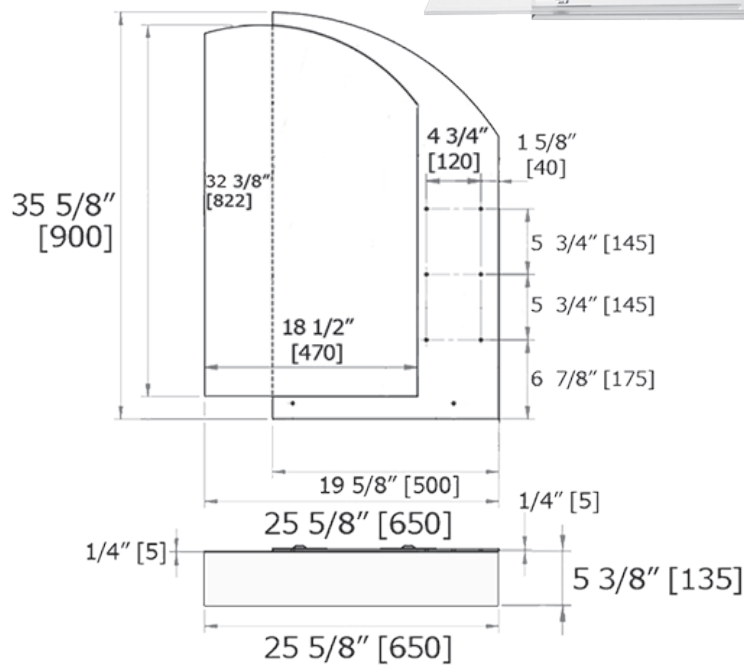


Decorative Mirrors

Double Layered Mirror with shelves
H00165

LALOO ACCESSORIES
SERVICE@LALOO.CA
866-305-2566

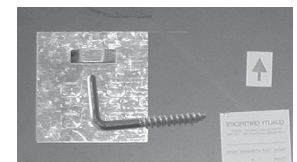
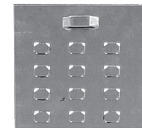


Mirror Features

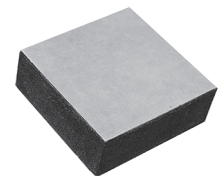


Pilkington Glass with silver plating of $\geq 700\text{mg/m}^2$ ensures $\geq 85\%$ reflectivity

Decorative mirrors come with mounting hardware and 'L' shaped screw



Foam spacers ensure that mirror is plumb.



Complementary Accessories

Left hand option
• H00164

10 Bar Towel Warmer
• ETW84-6



Use metric dimensions for greatest accuracy. Specifications are subject to change without notice.

A
CELEBRATION
of ART &
FUNCTION